

MLE/MLG20PR

EXPORT MODEL MLE/MLG20PN

MAYTAG® COMMERCIAL
ENERGY ADVANTAGE™
STACK WASHER/DRYER



LEGENDARY MAYTAG DEPENDABILITY

Maximizing your equipment investment for over a half century.

CEE TIER III RATED

WF: 3.87
MEF: 2.48



MORE ENERGY-SAVING SOLUTIONS THAN ANY OTHER BRAND

Maytag built the first appliance ever to receive the ENERGY STAR® label. Today we offer more high-efficiency laundry appliances than any other brand—from energy-efficient dryers to highly efficient ENERGY STAR®-qualified washers—to help you save money and build profits.

MICROPROCESSOR CONTROLS

Maytag® Computer Trac® controls are easy to program and operate. Plus, they give owners the flexibility to set vend prices by day, time, water temperature and Super Cycle options.

SAVE SPACE AND CUT UTILITY COSTS

A Maytag® Commercial Energy Advantage™ stack washer/dryer gives you a full-size, high-efficiency washer and a super-capacity dryer in the space of a washer alone. Plus the ENERGY STAR® rating means you'll save on utility bills.

FOR YOUR CUSTOMERS:

- Single Payment System
- Large Capacity For Bulky Items—3.2 cu. ft. Capacity Washer/ 6.7 cu. ft. Capacity Dryer
- High-Speed Extraction Cuts Drying Time (as high as 1,000 RPMs)
- Front Control Panel 20° Angle For Easy Viewing
- Easy-To-Use One-Touch Cycle Selection
- Quick Cycle Reduces Total Wash Time
- Washer is ADA-Compliant

FOR YOUR OPERATION:

- High-Efficiency Washer Meets CEE Tier III Rating
- Super Cycle Option Increases Revenue
- Accu Trac® Audit System With Two-Way Data Communication
- Automatic Load Balancing
- Built-in Oversudsing Protection
- TurboVent™ Dryer Technology
- Reversible Door, Dryer Only

BUILT-TO-LAST™ FEATURES:

- Precision Endurance Drive
- Best Warranty In The Business—5 Years All Parts

LAUNDRY SOLUTIONS
YOU CAN *DEPEND ON.*

SAVE UP TO 60% YEARLY*
ON ENERGY, WATER AND SEWER COSTS

visit maytagcommerciallaundry.com
or call 800-662-3587

* Maytag® Commercial front-load washer compared to commercial top-load washer. Individual savings may vary.

ML110017B



OUR COMMITMENT TO DEPENDABLE QUALITY

At Maytag, we believe durable goods should remain just that. That's why every Maytag® product is constructed of the highest-quality materials and with the utmost in precision craftsmanship. It's also why we stand behind our equipment with solid service and support from our professional Maytag laundry suppliers. Simply put, when you choose Maytag® products, you ensure your peace of mind.



MLE/MLG20PR MAYTAG® COMMERCIAL ENERGY ADVANTAGE™ STACK WASHER/ DRYER MICROPROCESSOR CONTROL

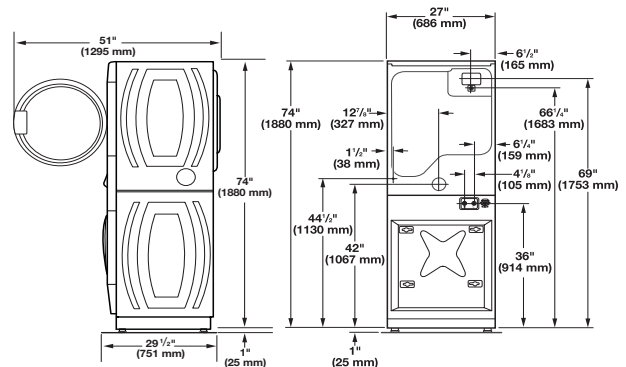


THE BEST WARRANTY IN THE BUSINESS— 5 YEARS ON ALL PARTS

For a period from the date of original purchase through the time listed above, the designated parts that fail in normal commercial use will be repaired or replaced free of charge for the part itself, with the owner paying all other costs, including labor, transportation and customs duty. Chemical damage is excluded from all warranty coverage. See complete warranty for details.

| WASHER SPECIFICATIONS | |
|---|--------------------|
| MODEL | MLE/MLG20PR |
| EXPORT MODELS | MLE/MLG20PN |
| MOTOR | |
| 120V, 60 Hz, variable-speed, reversible, thermoprotected, high-efficiency, controlled induction | Yes |
| Export models—220–240V, 50 Hz | Yes |
| Wash—HP (kw) | .09 (.07) |
| Extract—HP (kw) | .54 (.40) |
| Average washer energy consumption per cycle (kWh) | .054 |
| CAPACITY | |
| Cylinder volume—cu.ft. (liters) | 3.2 (91) |
| Cylinder diameter—in. (mm) | 21.6 (549) |
| Cylinder depth—in. (mm) | 13.4 (340) |
| WATER INLET/HOSE | |
| Inlet hose length/drain hose length—ft. (m) | 4 (1.22)/6 (1.83) |
| Water supply pressure—Psi (bar) | 20–100 (1–8) |
| APPROXIMATE WATER USAGE—GALLONS (LITERS) | |
| Average hot water usage, hot water cycle | 3.4 (12.8) |
| Average hot water usage, warm water cycle | 1.6 (6.1) |
| Average total water usage per cycle | 12.4 (47)* |
| SPEED | |
| Wash speed—RPM | 40 |
| Extract speed—max RPM/max g-force | 1,000/306 |
| BREAKER/FUSE MINIMUM REQUIREMENTS | |
| MLE electric models—amps | 30 |
| MLG gas model/export gas model—amps | 15/10 |
| SOUND LEVEL (export model only, washer & dryer) | |
| Sound pressure level, Lpa (dba) (Kpa: +/-3.6dba) | 58 |
| DRYER SPECIFICATIONS | |
| MOTOR | |
| Variable-speed, reversible, thermoprotected, high-efficiency, controlled induction | Yes |
| HP (kw) | .33 (25) |
| Tumble speed—RPM | 50 +/- 1 |
| CAPACITY—CU. FT. (LITERS) | |
| ELECTRICAL REQUIREMENTS—VOLTS/HZ | |
| MLE electric model—MLG Gas model | 240/60–120/60 |
| Export models | 220–240/50 |
| HEATING ELEMENT RATING | |
| MLE electric domestic models/export models—watts | 5,600/4,600 |
| MLE electric Canadian models—watts | 5,250 |
| MLG gas domestic models—BTU/hr. (kcal/hr.) | 24,000 (6,048) |
| MLG gas export models—BTU/hr. (kcal/hr.) | 20,000 (5,040) |
| GAS INLET | |
| MDG model—in. | 3/8 N.P.T. |
| AIRFLOW | |
| MDG gas models—cfm (cmm) | 230 (6.5) |
| MDE electric models—cfm (cmm) | 215 (6.1) |
| ADJUSTABLE LEVELING LEGS | |
| COLOR | |
| White | |
| APPROXIMATE WEIGHT | |
| Crated—lbs (kg) electric/gas | 369 (167) |
| Uncrated—lbs (kg) electric/gas | 358 (162) |
| DIMENSIONS | |
| Width—in. (mm) | 27 (686) |
| Depth—in. (mm) | 29.5 (749) |
| Product height—in. (mm) | 74 (1880) |
| Door opening—Washer—sq. in. | 143 |
| Door opening—Dryer—sq. in. | 191 |
| WARRANTY | |
| 5-Year | |

*Average based on DOE J1 testing with factory preset cycles. Because of continuous product improvements, Maytag reserves the right to change specifications without notice.



Side View

Back View

4" (120mm) DIAMETER EXHAUST HOODS MAXIMUM EXHAUST DUCT LENGTH PER NUMBER OF TURNS

| Number Of 90° Turns | Rigid Metal Vent | |
|---------------------|-----------------------------|-------------------|
| | Box Hood and Louvered Style | Angled Hood Style |
| 0 | 135 ft. (41.2 m) | 129 ft. (39.3 m) |
| 1 | 125 ft. (38.1 m) | 119 ft. (36.3 m) |
| 2 | 115 ft. (35.1 m) | 109 ft. (33.2 m) |
| 3 | 106 ft. (32.3 m) | 100 ft. (30.5 m) |
| 4 | 98 ft. (29.9 m) | 92 ft. (28.0 m) |

