

# MLG32PDB

MAYTAG® COMMERCIAL  
DEPENDABLE CARE®  
MULTI-LOAD STACK DRYER



## LEGENDARY MAYTAG DEPENDABILITY

Maximizing your equipment investment for over a half century.



## BUILT LIKE A TANK

The MLG32PDB is one of the heaviest 30-pound stack dryers on the market, offering years of dependable Maytag performance.

## MICROPROCESSOR CONTROLS

Maytag® Computer Trac® controls let you adjust prices by cycle, day and time—and they provide simple one-touch cycle selection.

## FOR YOUR CUSTOMERS:

- Fast-Drying Axial Airflow System
- ThermoGuard™ System Helps Prevent Laundry Overheating
- Extra-Large Door Openings
- Digital Display Shows Time Remaining In Cycle

## FOR YOUR OPERATION:

- Single Coin Box For Both Dryers
- Front Access For Easy Service
- One 8" Vent For Easy Installation
- Two Large-Capacity Lint Drawers

## BUILT-TO-LAST™ FEATURES:

- Heavy-Duty Enclosed Motors
- Permanently Lubricated Bearings
- Rear Belt Drive System
- The Best Warranty In The Business



LAUNDRY SOLUTIONS  
YOU CAN *DEPEND* ON.

THERMOGUARD™ SYSTEM  
PROTECTS LAUNDRY  
AGAINST OVERHEATING

visit [maytagcommerciallaundry.com](http://maytagcommerciallaundry.com)  
or call 800-662-3587



## OUR COMMITMENT TO DEPENDABLE QUALITY

At Maytag, we believe durable goods should remain just that. That's why every Maytag® product is constructed of the highest-quality materials and with the utmost in precision craftsmanship. It's also why we stand behind our equipment with solid service and support from our professional Maytag laundry suppliers. Simply put, when you choose Maytag® products, you ensure your peace of mind.



## MLG32PDB

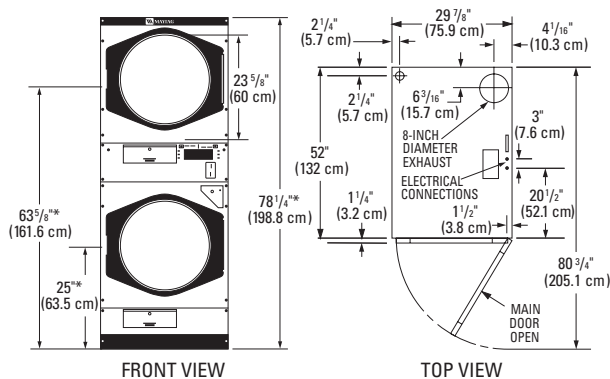
**MAYTAG® COMMERCIAL DEPENDABLE CARE® MULTI-LOAD STACK DRYER**

## Maytag® Dependable Care® Multi-Load Stack Dryer

### MICROPROCESSOR COIN-DROP

DRYER SPECIFICATIONS	
<b>MODEL</b>	<b>MLG32PDB</b>
<b>MOTOR</b>	
Single-phase, thermoprotected against overload, auto-reset	•
HP (kw)	1/2 (.373)
<b>CAPACITY</b>	
Lbs. (kg) per drying chamber	30 (13.6)
Cu. ft. (cu. m) per drying chamber	10.1 (.287)
<b>AIRFLOW</b>	
Cfm (cmm) per drying chamber	420 (11.9)
<b>TUMBLERS</b>	
Diameter — in. (cm)	27 1/4 (69.2)
Depth — in. (cm)	30 (76.2)
<b>DOOR OPENING DIAMETER</b>	
In. (cm)	21 1/2 (54.6)
<b>ELECTRICAL REQUIREMENTS</b>	120V, 60 Hz
<b>BREAKER/FUSE REQUIREMENTS</b>	
Amps per drying chamber	20
<b>EXHAUST DUCT DIAMETER</b>	
In. (cm)	8 (20.3)
<b>GAS RATING</b>	
BTU/hr. (kcal/hr.) per drying chamber	80,000 (20,160)
<b>GAS INLET PER POCKET</b>	
In. (cm)	3/4 (1.9)
<b>ADJUSTABLE LEVELING LEGS</b>	•
<b>COLORS</b>	
White	•
Bisque	•
Stainless Steel	•
<b>APPROXIMATE WEIGHT</b>	
Crated — lbs. (kg)	915 (415)
Uncrated — lbs. (kg)	875 (397)

See specific instructions for proper installation. Because of continuous product improvement, Maytag reserves the right to change specifications without notice.



\*Dimensions will vary according to adjustment of leveling legs; add 1/2" (1.3 cm) minimum.



NEW YORK CITY  
M.E.A.



## THE BEST WARRANTY IN THE BUSINESS— 5 YEARS ON ALL PARTS

For a period from the date of original purchase through the time listed above, the designated parts that fail in normal commercial use will be repaired or replaced free of charge for the part itself, with the owner paying all other costs, including labor, transportation and customs duty. Chemical damage is excluded from all warranty coverage. See complete warranty for details.