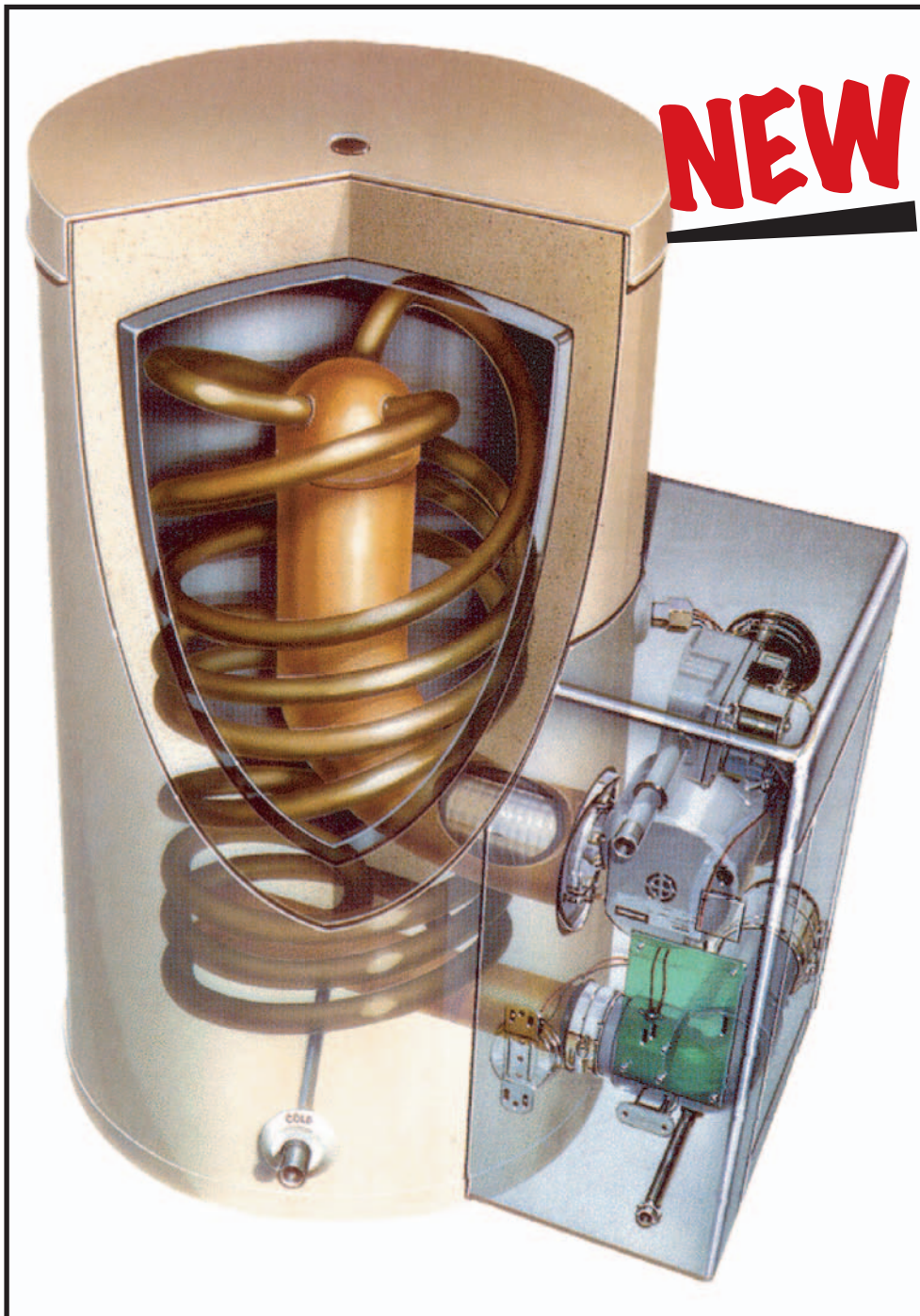


# SUPER-EFFICIENCY



**HIGH  
EFFICIENCY**

**95%**

**Can Save  
Thousands of  
Dollars on Fuel  
Annually.**

- No Boiler Room Required
- Zero Clearance
- Sealed Combustion
- Side Wall Venting
- No Chimney Construction
- No Large Fresh Air Openings



**NATIONAL COMBUSTION CO., INC.**

104-11 180th ST., JAMAICA, NY 11433 TEL (718) 291-8400 • FAX (718) 291-6870

[www.nationalcombustion.com](http://www.nationalcombustion.com)

**NATGO<sup>®</sup>**

# FEATURES

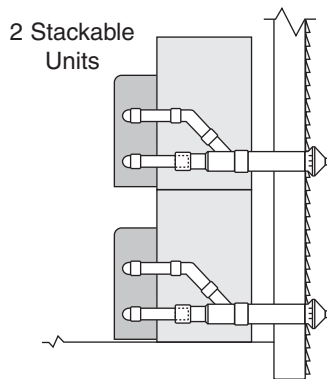
- Efficiency of 95% dramatically reduces operating costs.
- Zero clearance to any combustable surface, may be installed in any closet.
- 316L Stainless Steel Storage tank construction.
- Corrosion resistance, high efficiency 90/10 Cupro-nickel heat exchanger, with stainless steel head.
- Sealed combustion: No chimney or large fresh air opening required. Direct vent with plastic pipe.
- Easy to install, operate, and service.
- Multiple heater installation for increased capacity.
- 45 gallon units may be stacked to save space.
- Low NOx.
- Less Than 1/2° F per hour standby loss (R17).
- Self diagnostic electronic control featuring digital readout of water temperature set point and differential.
- Temperature range from 70° to 180°F. (45 Gal. Unit 160°F)
- Water connections: 1-1/2" (45 Gal. Units are 1")
- On the market for 15 years.

## Specifications on Size

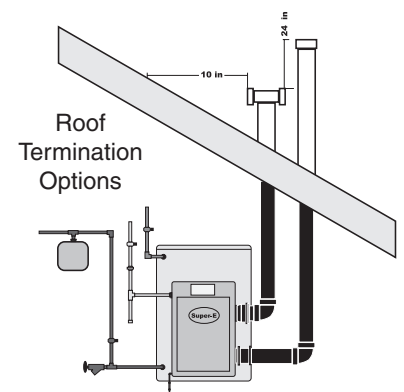
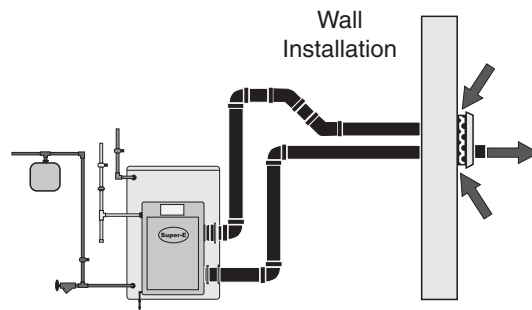
Package Number	BTU Input	Storage Gallons	Height Inches	Width Inches	Depth Inches	Vent Inches	Weight Lbs.
SE-199-45	199,000	45	42	23.5	32	3"	175
SE-199-80	199,000	80	72	23.5	32	3"	235
SE-199-119	199,000	119	73	27	36	3"	405
SE2-398-160 (2 Units)	398,000	160	72	2 of the Above SE-199-80		2 X 3"	470
SE2-398-90 (2 Units)	398,000	90	84	2 of the Above SE-199-45 Stacked		2 X 3"	350

## Recovery Ratings

Package Number		TEMPERATURE RISE							
		40	60	70	80	90	100	120	140
SE-199-45	GPM	9.45	6.3	5.4	4.73	4.2	3.78	3.15	2.7
	GPH	567	378	324	284	252	227	189	162
	Gal. 1 <sup>st</sup> Hr.	612	423	369	329	297	272	234	207
SE-199-80	GPM	9.45	6.3	5.4	4.73	4.2	3.78	3.15	2.7
	GPH	567	378	324	284	252	227	189	162
	Gal. 1 <sup>st</sup> Hr.	647	458	404	364	332	307	269	242
SE-199-119	GPM	9.45	6.3	5.4	4.73	4.2	3.78	3.15	2.7
	GPH	567	378	324	284	252	227	189	162
	Gal. 1 <sup>st</sup> Hr.	686	497	443	403	371	346	308	281
SE2-398-160 (2 Units)	GPM	18.9	12.6	10.8	9.46	8.4	7.56	6.3	5.4
	GPH	1134	756	648	568	504	454	378	324
	Gal. 1 <sup>st</sup> Hr.	1294	916	808	728	664	614	538	484
SE2-398-90 (2 Units)	GPM	18.9	12.6	10.8	9.46	8.4	7.56	6.3	5.4
	GPH	1134	756	648	568	504	454	378	324
	Gal. 1 <sup>st</sup> Hr.	1224	846	738	658	594	544	468	414



### Different Venting Options



**NATIONAL COMBUSTION CO., INC.**  
**104-11 180th ST., JAMAICA, NY 11433**  
**www.nationalcombustion.com**



**TEL (718) 291-8400 • FAX (718) 291-6870**